

00020 8720960

Fig. 1A

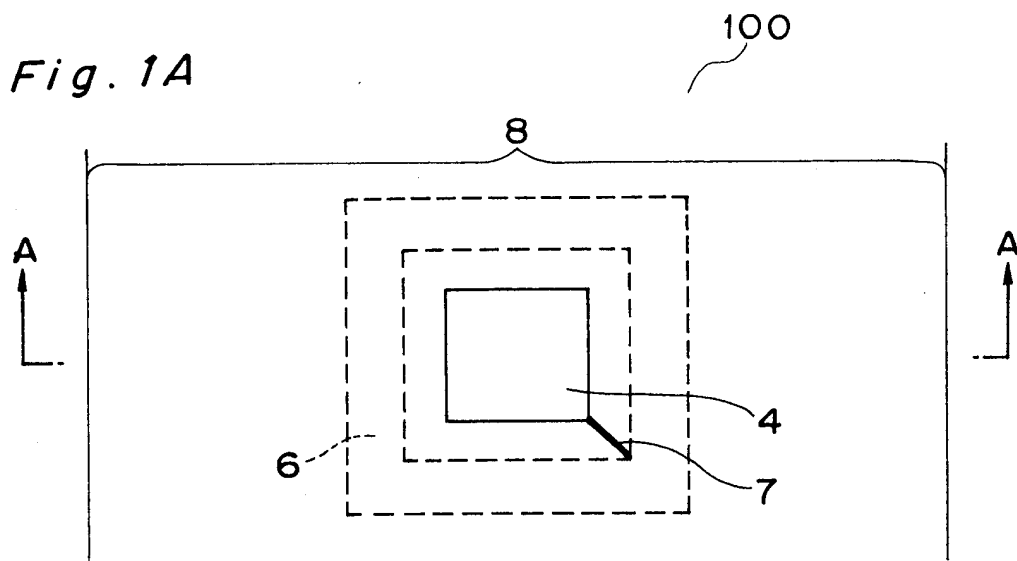


Fig. 1B

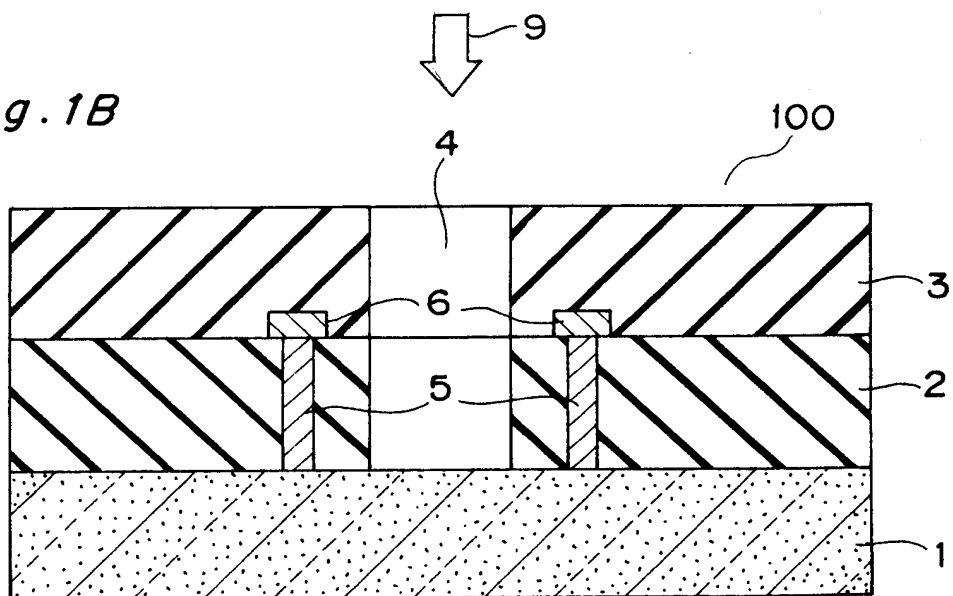


Fig. 2A

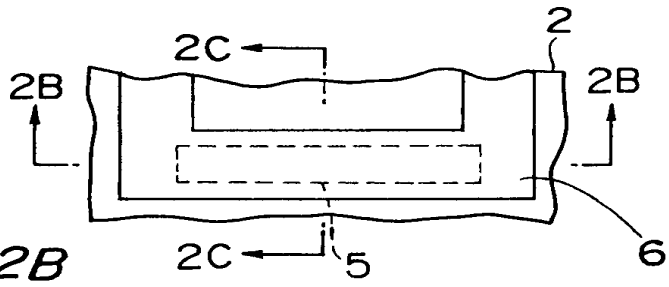


Fig. 2B

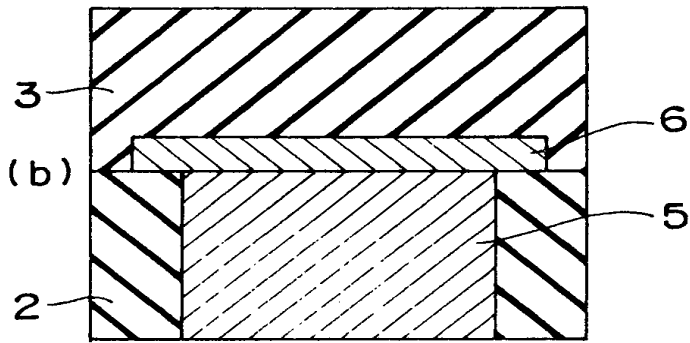


Fig. 2C

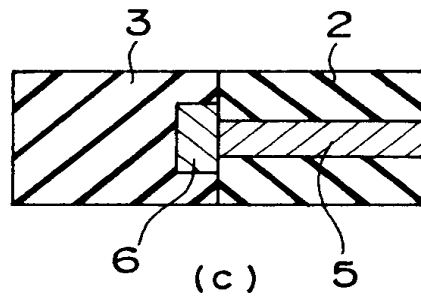


Fig. 4A

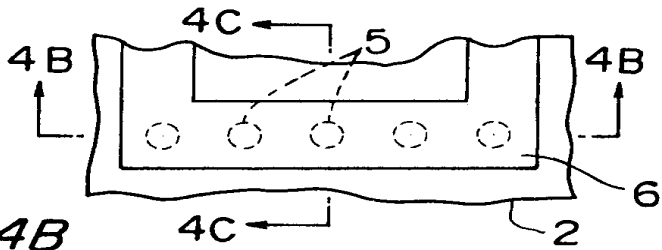


Fig. 4B

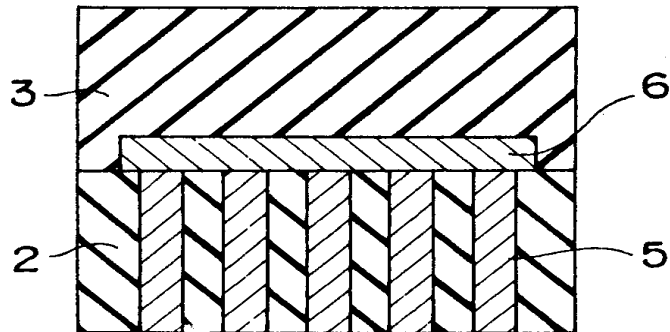


Fig. 4C

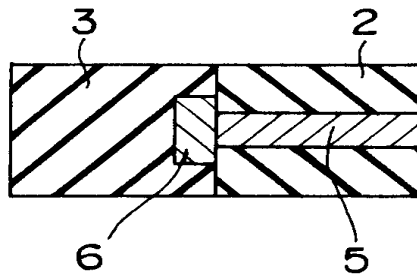


Fig.3A

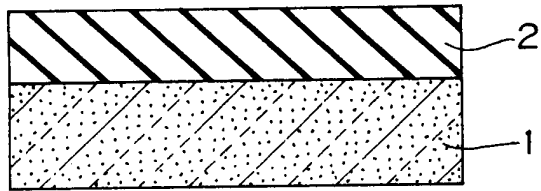


Fig.3B

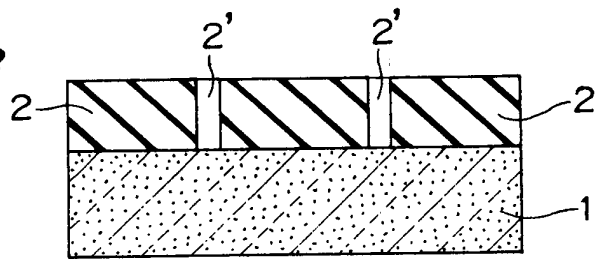


Fig.3C

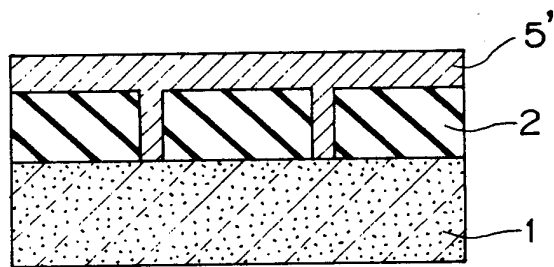


Fig.3D

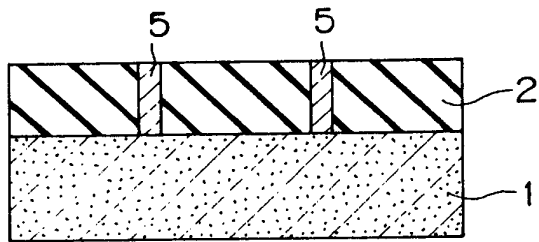
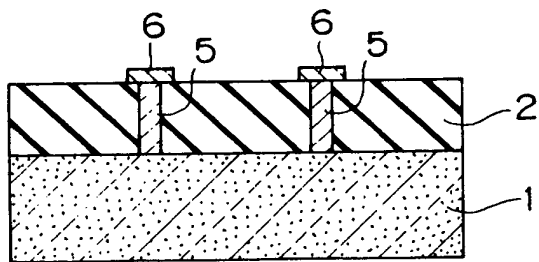


Fig.3E



00020" of 400000

Fig.3F

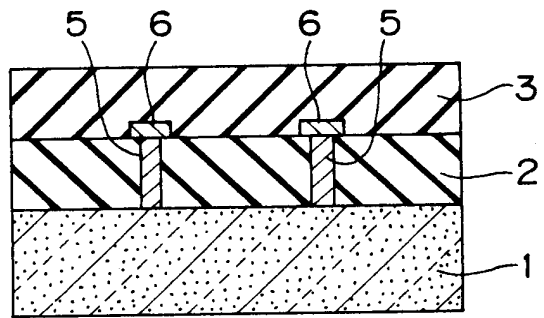
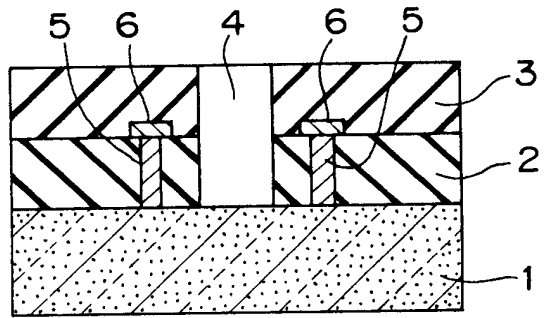


Fig.3G



000270" 0 F 232350

Fig. 7

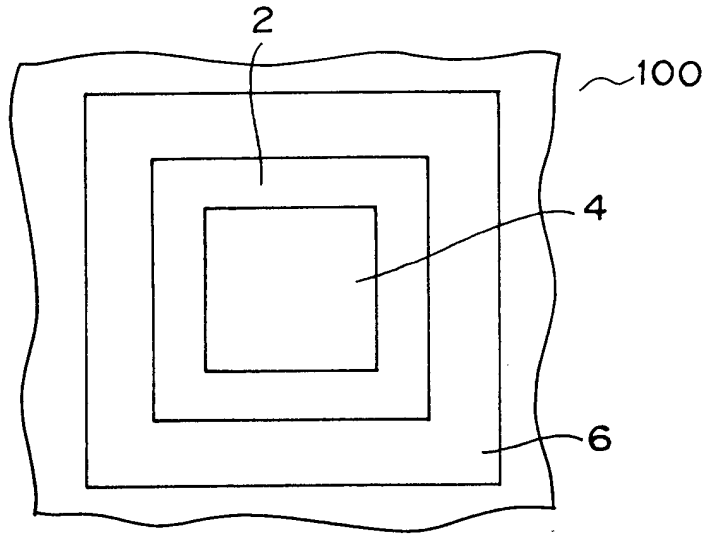


Fig. 8

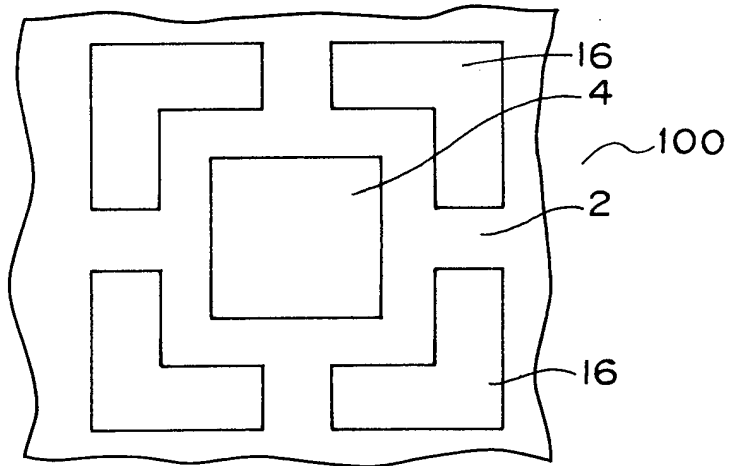


Fig. 9

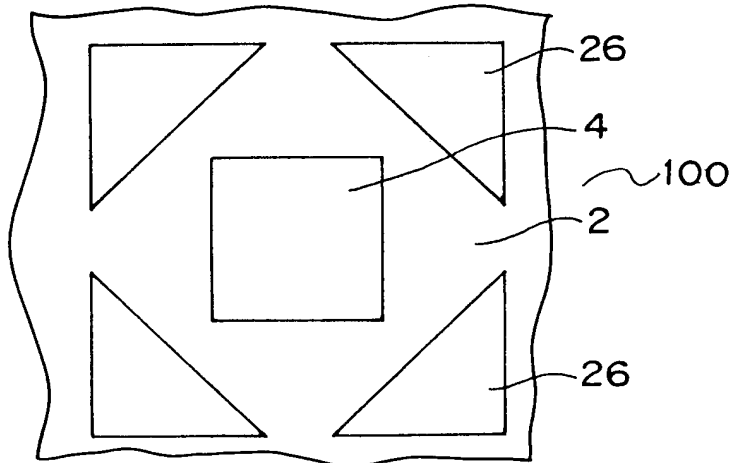


Fig. 10

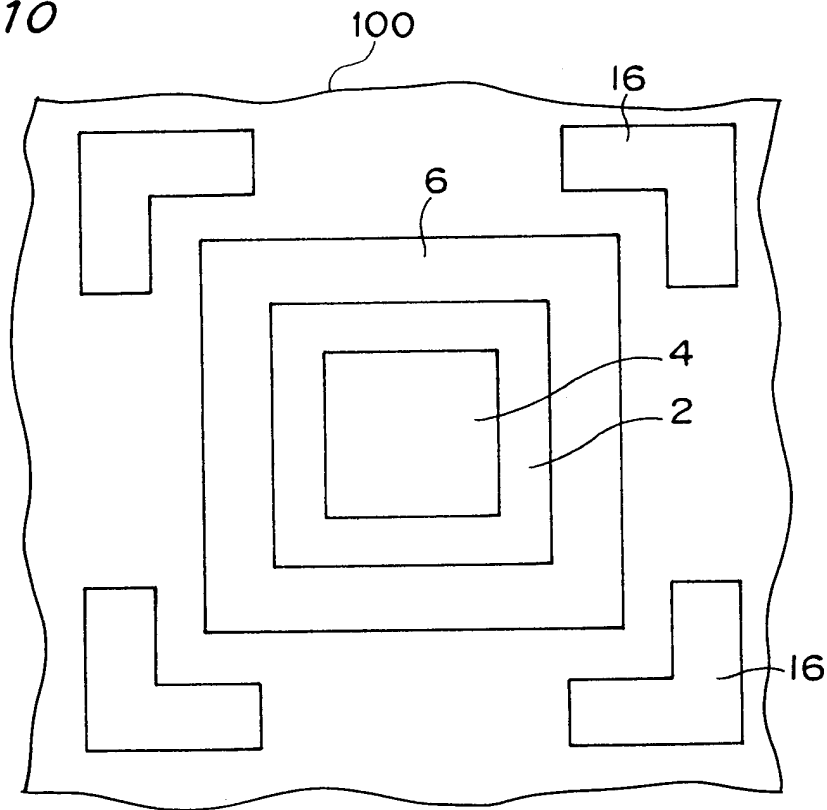
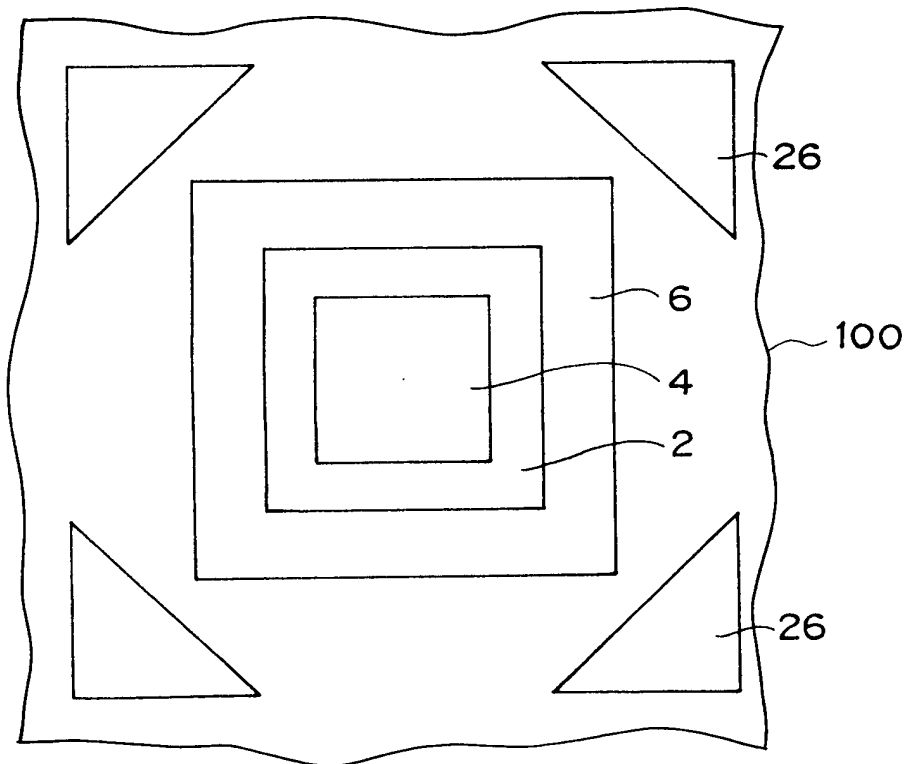
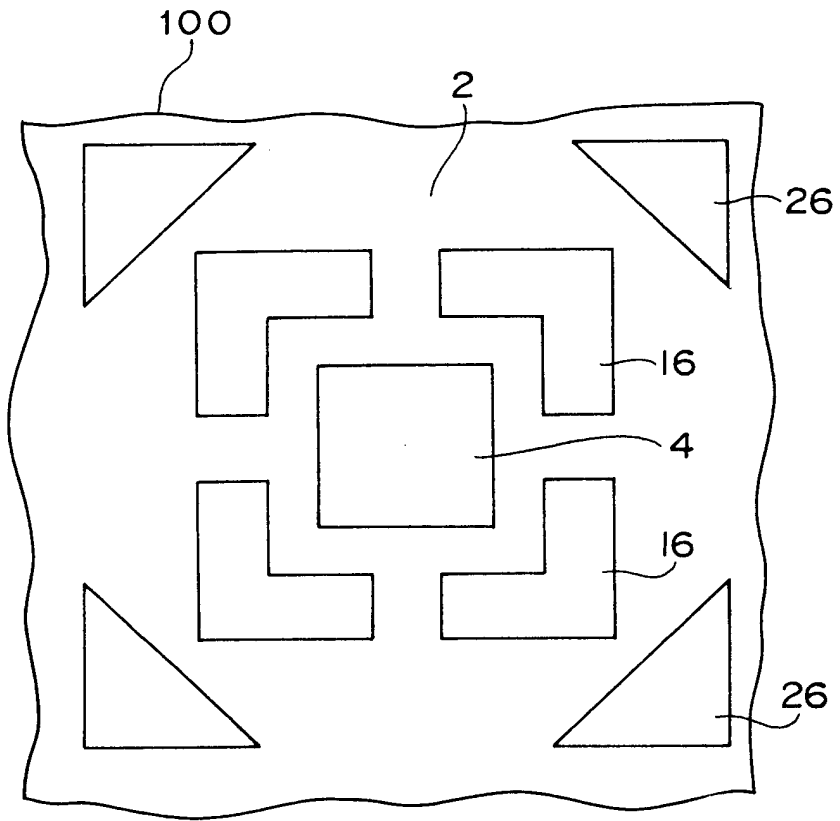


Fig. 11



2025 RELEASE UNDER E.O. 14176

Fig. 12



000000" 8428060

Fig.13A PRIOR ART

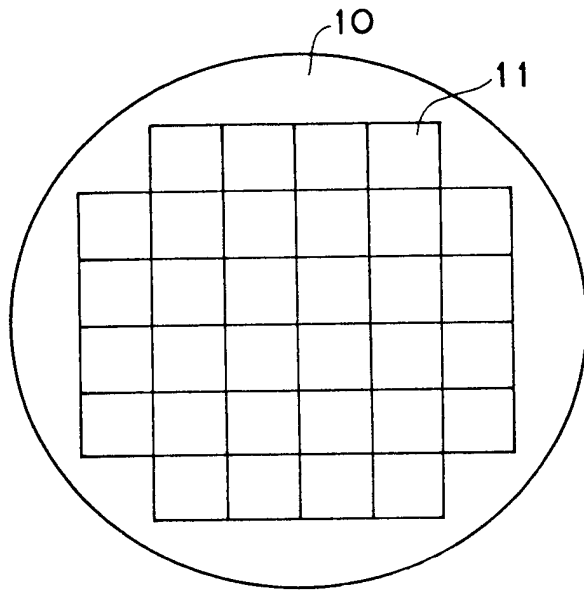


Fig.13B
PRIOR ART

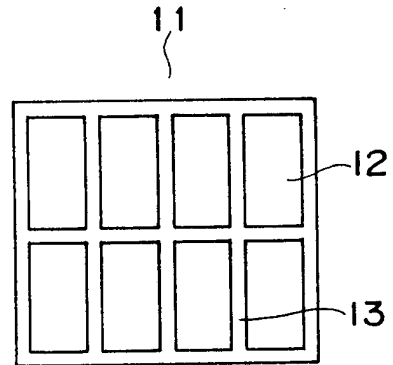


Fig.14A PRIOR ART

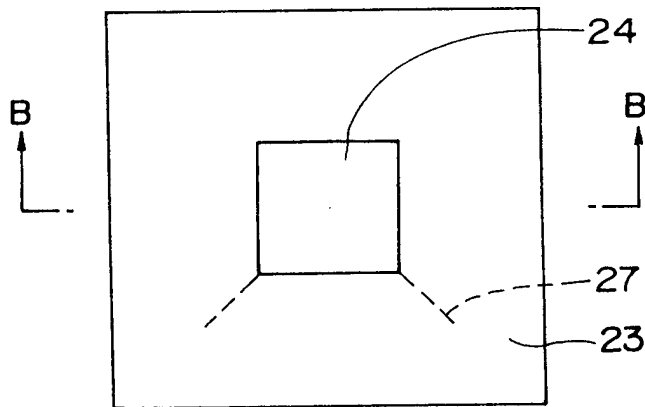
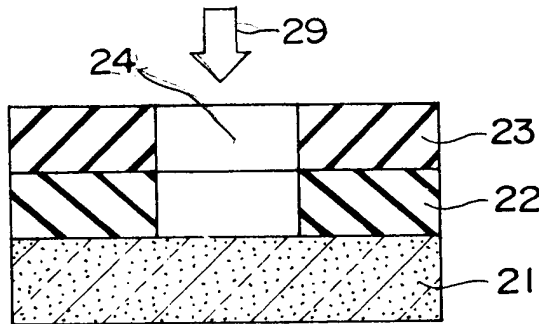


Fig.14B
PRIOR ART



000220" of 202250

Fig.15A PRIOR ART

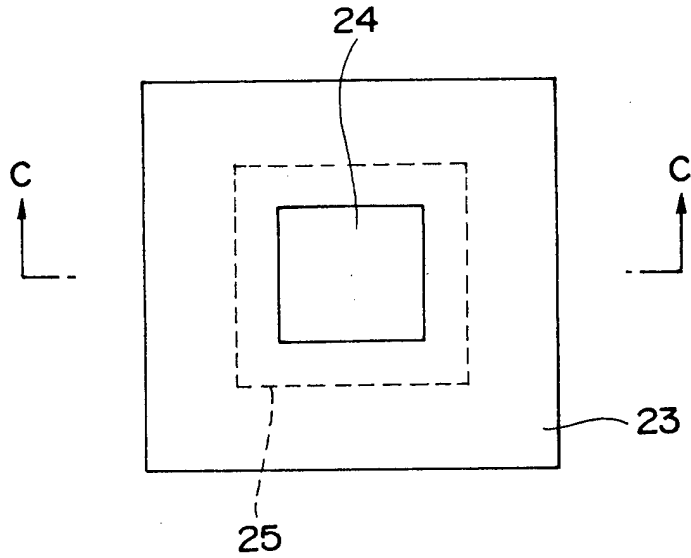


Fig.15B PRIOR ART

